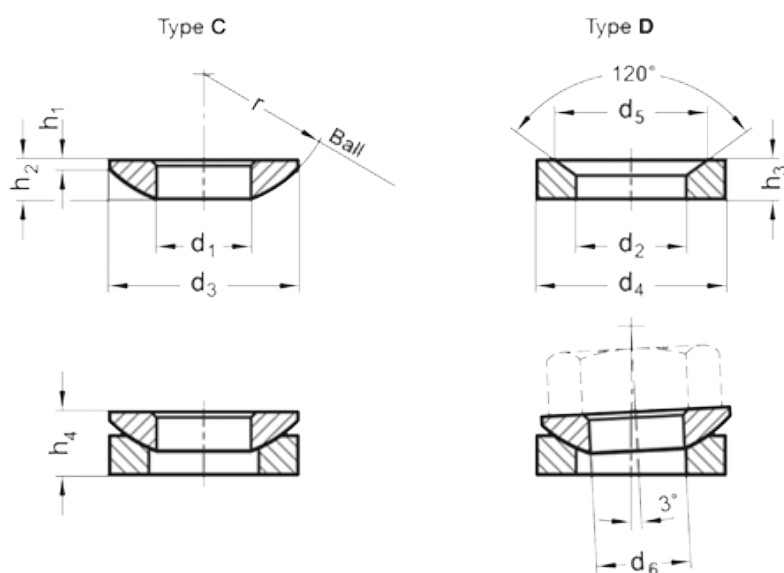


Article number: 208060231

Description: E+G Sphericalwasher female DIN 6319-23,2-D-NI
Stainless Steel 1.4305

Measures



$d_2 = 23.2$

$d_4 = 36$

$d_5 = 31.0$

$d_6 = M20$

$H_3 = 7.5$

$H_4 = 11.7$